



RED: To +VDC (fuse @ 10A)

BLACK: To Chassis Ground (-)

WHITE: For Simultaneous or Alternating Flash

Group1 Units: (Wiring- WHITE connected to RED) will flash together
 Group2 Units: (Wiring- WHITE not connected to RED) will flash together
 Group1 Units will alternate with Group2 Units

YELLOW: Flash patterns & Synchronization

Connect YELLOW wires of all heads together for synchronization
 *All heads must be set at the same pattern

WARNING: Do not look directly into LEDs while in operation; may cause momentary blindness and/or eye damage.

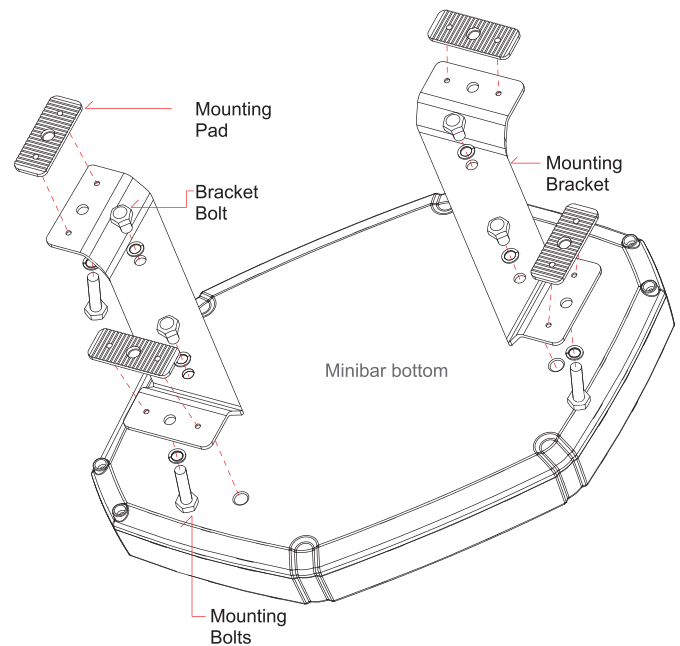
FLASH PATTERNS

Momentarily apply +VDC to **YELLOW:**

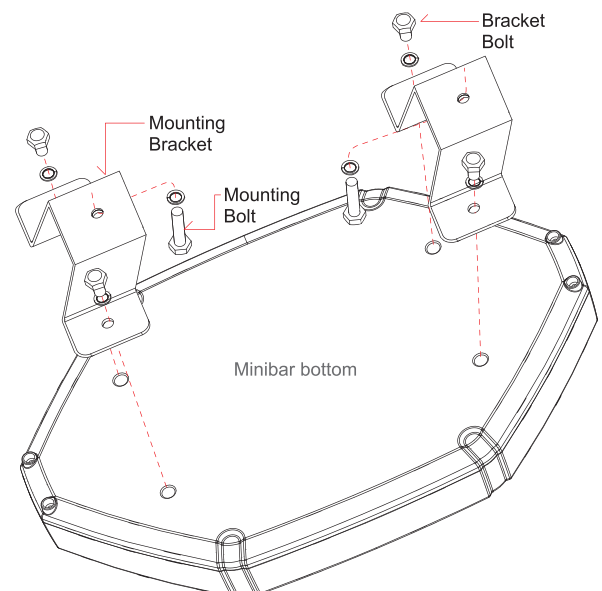
- Once for next pattern
- Quickly 3 times for reset to FP#0

FP#	FLASH PATTERNS
0	Kit Scan (split)
1	Outside-In Single
2	Outside-In Ultra
3	Side-by-Side Single
4	Side-by-Side Ultra
5	Random
6	Single (split)
7	Double (split)
8	Quad (split)
9	Quint (split)
10	Mega (split)
11	Ultra (split)
12	Single-Quad (split)
13	Single H/L (split)
14	Single (all)
15	Double (all)
16	Quad (all)
17	Quint (all)
18	Mega (all)
19	Ultra (all)
20	Single-Quad (all)
21	Single H/L (all)
22	Single Cross
23	Ultra Cross
24	Rotator1
25	Rotator2

4-Bolt Mount Brackets



2-Bolt Mount Brackets



Note: This unit is not factory set at FP#0

FALCON™ MAGNETIC MOUNT



Lightly tap top-center of minibar with Magnet Card.

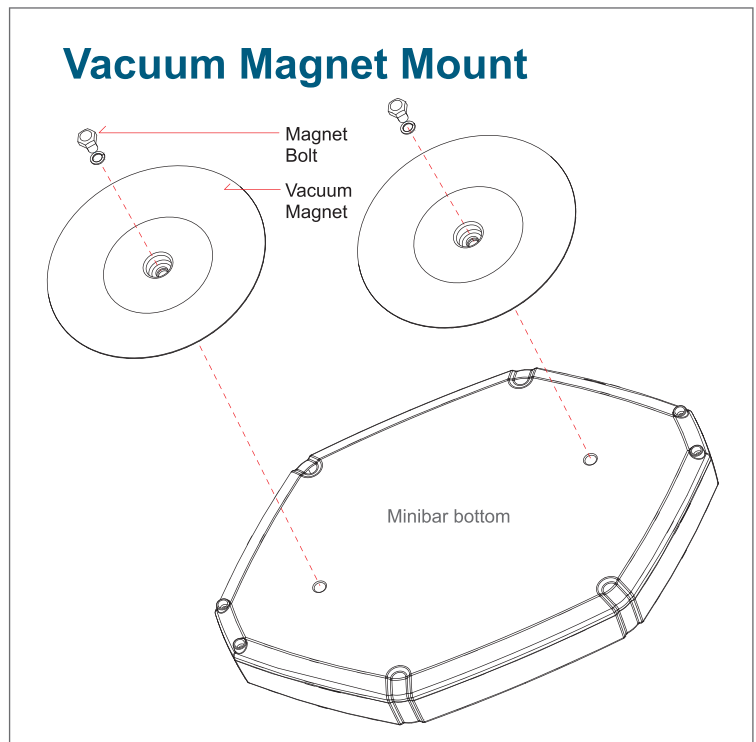
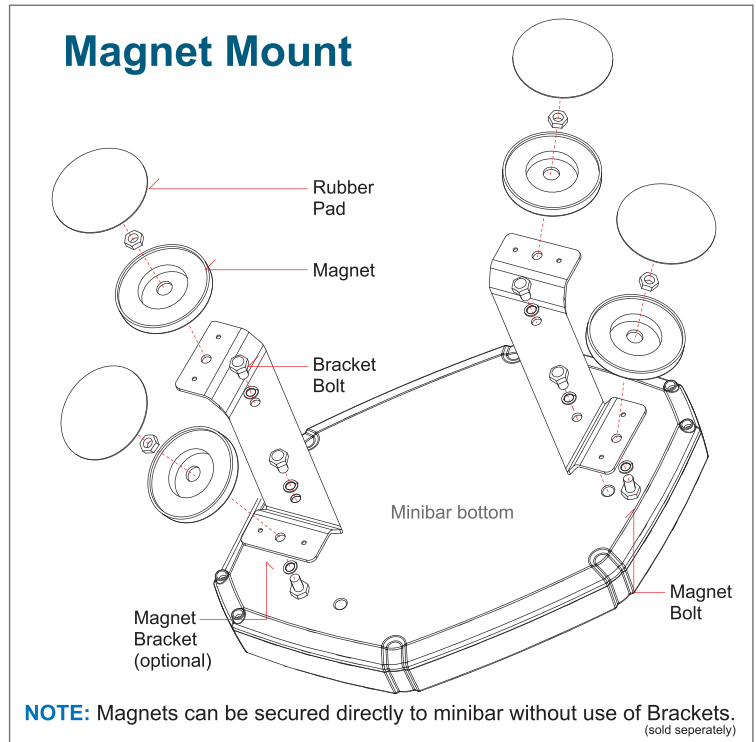
WARNING:

It is not recommended to use magnetically mounted warning devices on outside of vehicles in motion. Usage is at the sole risk and responsibility of the user.

FLASH PATTERNS

Momentarily apply Magnet Card to top-center of minibar for next pattern.

FP#	FLASH PATTERNS
0	Kit Scan (split)
1	Outside-In Single
2	Outside-In Ultra
3	Side-by-Side Single
4	Side-by-Side Ultra
5	Random
6	Single (split)
7	Double (split)
8	Quad (split)
9	Quint (split)
10	Mega (split)
11	Ultra (split)
12	Single-Quad (split)
13	Single H/L (split)
14	Single (all)
15	Double (all)
16	Quad (all)
17	Quint (all)
18	Mega (all)
19	Ultra (all)
20	Single-Quad (all)
21	Single H/L (all)
22	Single Cross
23	Ultra Cross
24	Rotator1
25	Rotator2



Note: This unit is not factory set at FP#0