



PAL06 LED Hide Away System



Step out of the stone age and into the new age.

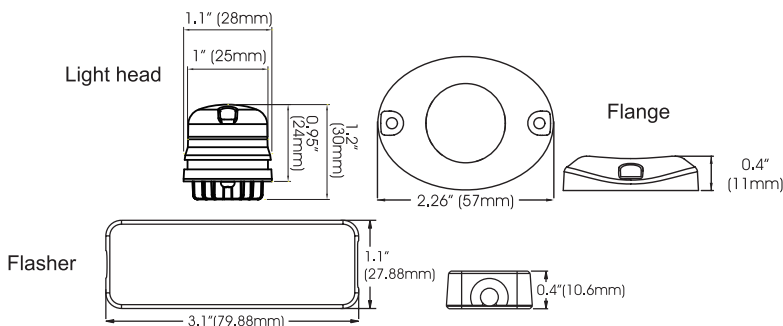
With the advent of LED products, strobe equipment is quickly becoming a thing of the past. The heat produced by hide away strobe tubes has been known to melt headlight / taillight housings, resulting in an expensive replacement.

The innovative design eases installation & encourages other applications.

The "pop - in" PAL06 is another innovative product designed for maximum output, as well as ease of installation. 6 diodes are laid flat (parallel to the ground if facing up), resulting in an ultra effective hide away, and a perfect surface mount (use flanges).

Retrofitting? Just use the existing strobe cable that's already in the vehicle.

2 pins in a 3 pin nylon connector allow these light heads to be connected to strobe cable that is already in the vehicle, reducing install time, a feature that will encourage the graduation to LED hide away. Just plug in the heads, remove the strobe power supply and replace it with the LED flasher module(s). This model is perfect if replacing old pop - in strobe tubes (no ugly screw base holes left over).



Features

Specifications:

Operating voltage: 12 VDC
Max current: 1.8 Amps

Kit Components:

- (2) light heads
- (1) 6' "jumper" cable
- (1) Flasher module and 10' cable

2 kits necessary for 4 corner upfit

Features:

20 User selectable warning flash patterns,

Synchronize multiple units

LED colors:

Solid colors: Amber, Blue, Red, White.

Base: Aluminum w/ rubber grommet

Flange Colors: [additional charge]
Black, White, Chrome

Certifications:

Meets / exceeds SAE and CA-XIII

Warranty:

5 year limited warranty