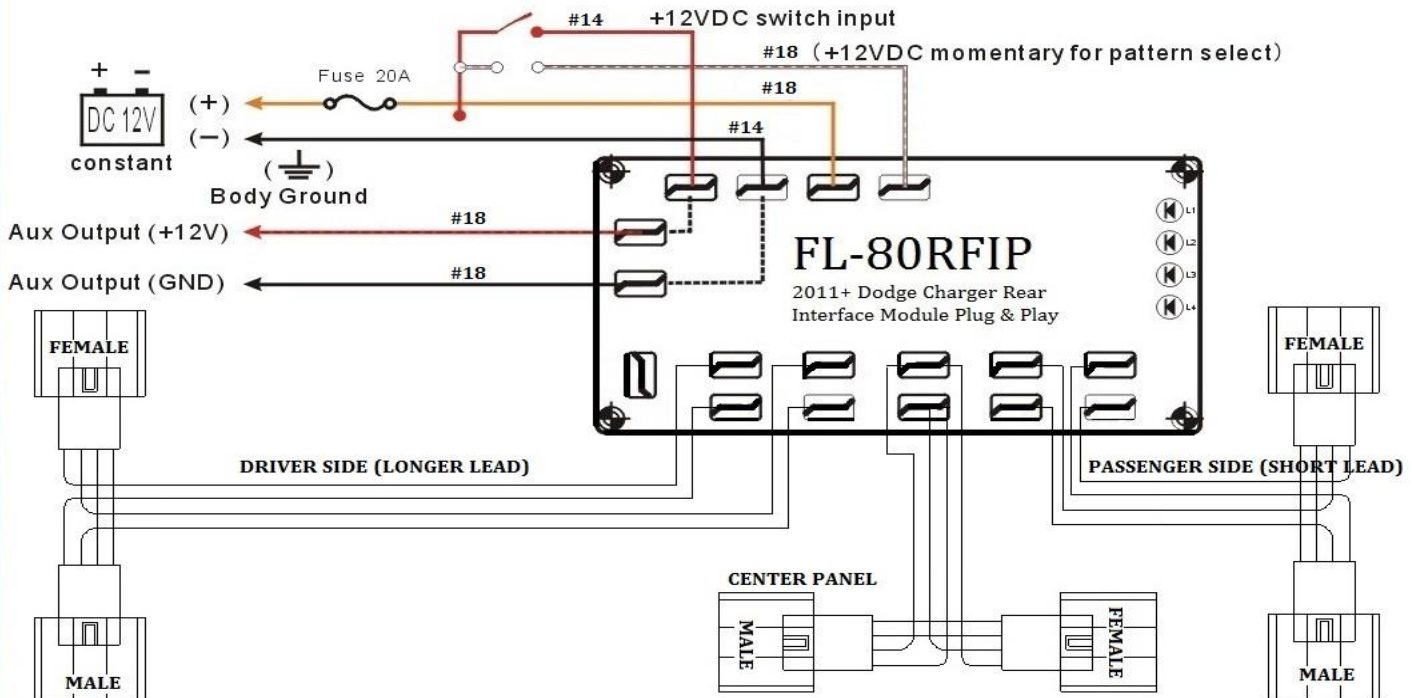




BROOKING INDUSTRIES, INC.

10016 NW 53rd St.
Sunrise, FL 33351

P 888-439-1925 or 954-572-0510
F 877-363-7301 or 954-578-6007



Warning/Disclaimer

- This flasher interface is designed to be isolated from the vehicles "CAN System" and body control modules (BCM's).
- Do Not connect this interface to any 12V D.C. power wire(+) within the vehicles "CAN System" or a power wire routed to and/or originating from a body control module. The interface is designed to be isolated from these systems.
- 12V DC power input for the interface must originate from a switch/controller that is in turn receiving power from a front or rear power distribution port supplied by your vehicles manufacturer at the time of assembly.
- Brooking Industries is not responsible for damage to any vehicles electrical, "CAN System" or body control modules (BCM's), due to improper installation of this interface.
- The 2 year manufacturer's warranty is void if failure is deemed to be from improper installation.
- Only qualified technicians should attempt the installation of this interface.

Patents Pending

INSTALLATION INSTRUCTIONS:

1. LOCATE TAIL LIGHT ASSEMBLY ON PASSENGER SIDE OF THE VEHICLE.
2. UNPLUG OEM TAIL LIGHT PLUG FROM THE TAIL LIGHT ASSEMBLY.
3. INSERT FEMALE PLUG FROM INTERFACE INTO TAIL LIGHT ASSEMBLY, MAKING SURE PLUG IS CONNECTED SECURELY. INSERT MALE PLUG FROM INTERFACE INTO THE OEM TAIL LIGHT PLUG, MAKING SURE PLUG IS CONNECTED SECURELY.
4. REPEAT ON DRIVERS SIDE. DRIVER SIDE LEADS ARE LONGER THAN PASSENGER SIDE.
5. LOCATE THE CENTER PANEL ASSEMBLY ON THE INSIDE OF THE TRUNK LID.
6. UNPLUG OEM PLUG FROM PANEL AND INSERT FEMALE PLUG FROM INTERFACE, MAKING SURE PLUG IS CONNECTED SECURELY. THEN INSERT MALE PLUG FROM INTERFACE INTO OEM PANEL PLUG, MAKING SURE PLUG IS CONNECTED SECURELY.
7. CONNECT INTERFACE MODULE GROUND TO A PROPER BODY GROUND.
8. CONNECT INTERFACE MODULE TO 12V DC CONSTANT POWER (+) OR IGNITION POWER (+)
9. CONTROL WIRE IS TO BE CONNECTED TO CUSTOMER SUPPLIED SWITCH.
10. AUXILLARY OPTION IS FOR EXTRA LIGHTING REQUIRING CONSTANT 12V DC POWER (+) AND GROUND (-).

CHARGER INTERFACE MODULE FEATURES

AUXILLARY OPTION

OPTION CAN BE USED TO POWER AND GROUND EXTRA LED LIGHTING. IF NOT BEING USED, LEADS NEED TO BE CAPPED OR TERMINATED.

BRAKE LIGHT/TURN SIGNAL OVERRIDE

WHEN INTERFACE MODULE IS ACTIVE, AND THE BRAKE LIGHTS OR TURN SIGNALS ARE ACTIVATED BY THE DRIVER, THE OEM BRAKE LIGHTS AND/OR TURN SIGNALS WILL OVERRIDE THE INTERFACE MODULE, SHOWING FACTORY BRAKES AND/OR TURN SIGNALS. WHEN THE BRAKE LIGHTS OR TURN SIGNALS ARE SWITCHED OFF, THE INTERFACE MODULE WILL RETURN TO FLASHING MODE AFTER A SHORT DELAY.