

# UNDERCOVER LED KIT USER MANUAL

## CONTENTS

6LED KIT

LIGHTHEAD x 2pcs



GASKET x 2pcs



SCREW x 4pcs

EXTENSION CABLE



FLANGE x 2pcs



FOAM x 2pcs

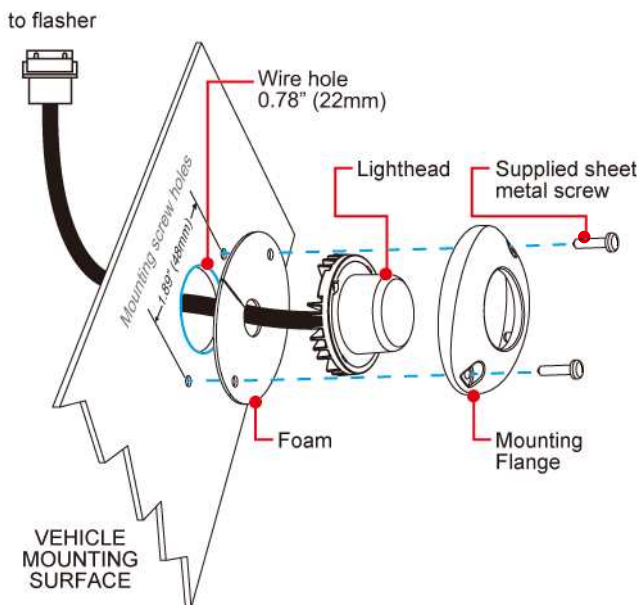
FLASHER & CABLE



## FLANGE MOUNT INSTALLATION (for 6LED kits with Flange option only)

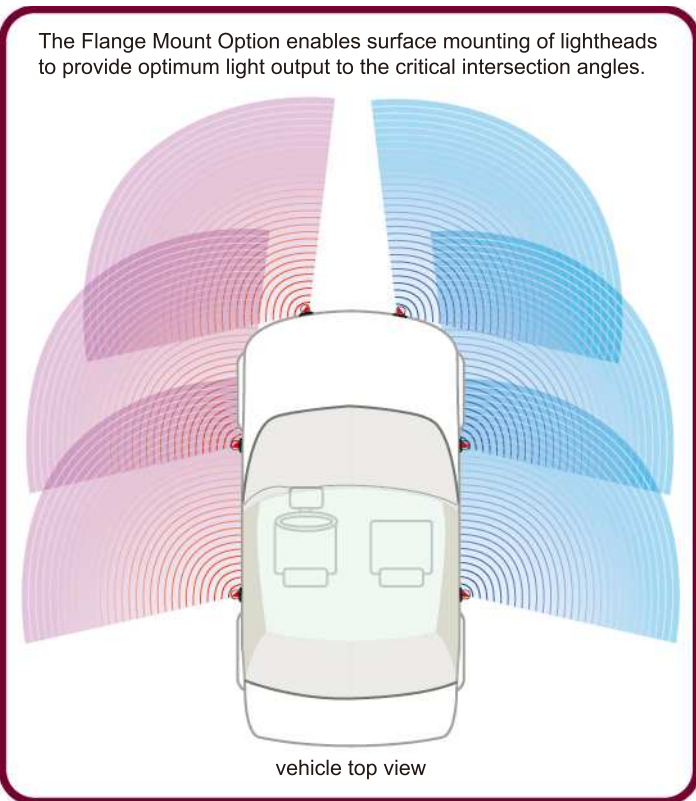
1. Use mounting flange to mark wire and screws holes to drill.
2. Drill marked holes accordingly.
3. Insert lighthead pigtail into wire hole.
4. Place foam, lighthead, and flange in line with the mounting holes, and secure with supplied sheet metal screws.

**NOTE:** Position lighthead so that LEDs are facing the desired direction.



**WARNING:** Make sure to use the foams when mounting lighthead.

The Flange Mount Option enables surface mounting of lighthead to provide optimum light output to the critical intersection angles.



## WIRING 2 KITS TOGETHER

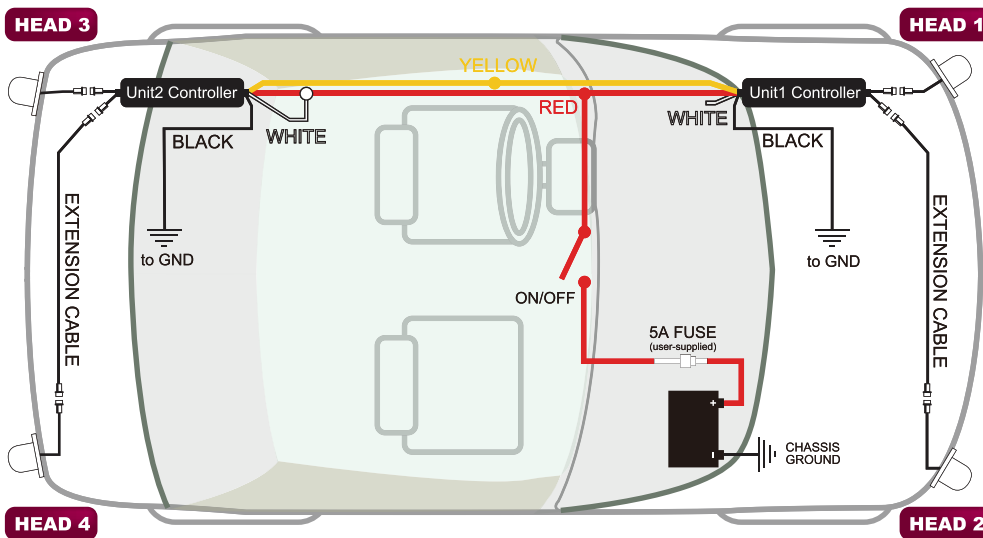
In this configuration, different alternating flash patterns can be achieved.

If "split" flash pattern\* is selected:  
Heads 1&4 will alternate with Heads 2&3.

If "all" flash pattern\* is selected:  
Heads 1&2 will alternate with Heads 3&4.

\*refer to Flash Patterns chart on opposite page.

**NOTE:** To have Heads 1&3 alternate with 2&4, leave all WHITE wires disconnected and select "split" flash patterns.



**NOTE:** Illustration not to scale.

# UNDERCOVER LED KIT USER MANUAL

## CONTENTS

### LED KIT

LIGHTHEAD x 2pcs



GASKET x 2pcs



SCREW x 4pcs

EXTENSION CABLE

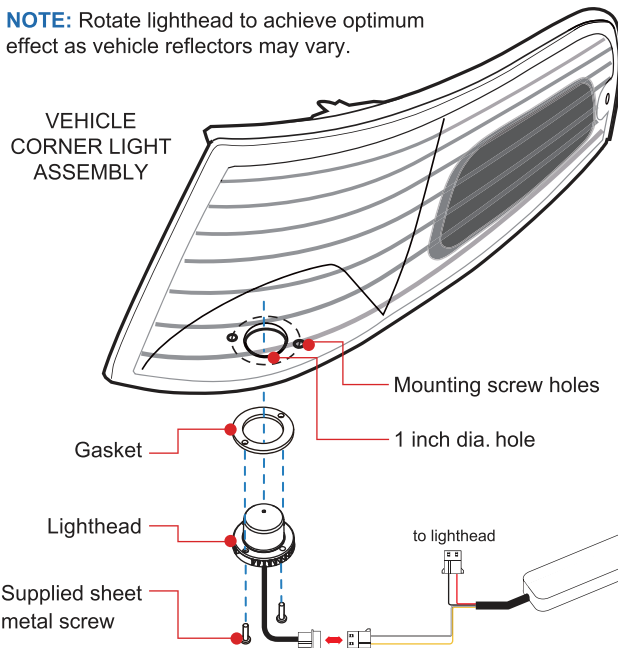


FLASHER & CABLE

## LIGHT ASSEMBLY INSTALLATION

1. Remove the Corner/Head/Tail light from vehicle.
2. Select location to mount lighthouse.
3. Drill 1 inch diameter hole to the light assembly.
4. Insert lighthouse into hole and secure with supplied sheet metal screws.

**NOTE:** Rotate lighthouse to achieve optimum effect as vehicle reflectors may vary.



**RED** — To +VDC (fuse @ 5A)

**BLACK** — To Chassis Ground

**WHITE** — For Simultaneous or Alternating Flash  
\*refer to "WIRING 2 KITS TOGETHER" on opposite page

**YELLOW** — For Synchronization & Flash Patterns  
Connect YELLOW wires of all Kits together for synchronization  
\*All kits must be set at the same pattern

Momentarily apply +VDC to **YELLOW** wire:

- once for next pattern
- quickly three times for reset

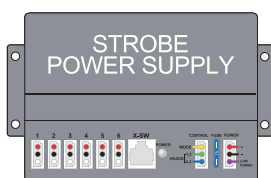
FP#	Flash Patterns	
0	Random	10 Double (all)
1	Single (split)	11 Quad (all)
2	Double (split)	12 Quint (all)
3	Quad (split)	13 Mega (all)
4	Quint (split)	14 Ultra (all)
5	Mega (split)	15 Single-Quad (all)
6	Ultra (split)	16 Single H/L (all)
7	Single-Quad (split)	17 Steady 2 (CA)
8	Single H/L (split)	18 Steady 4 (all)
9	Single (all)	

\*SPLIT = Head1 alternate Head2 \*ALL = Head1 & 2 Simultaneous

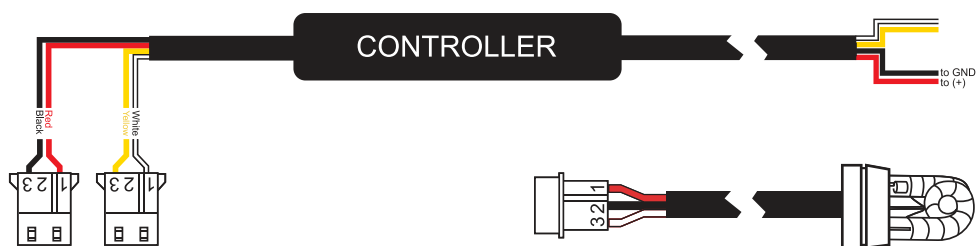
**NOTE:** This unit may not be factory set at FP# 0.

## WIRING TO EXISTING STROBE CABLES

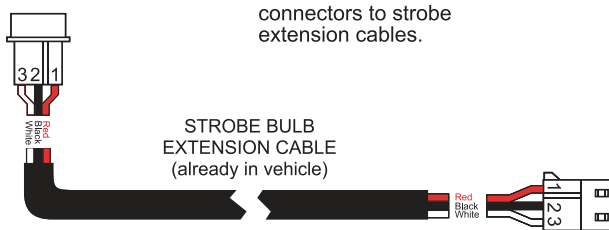
In this configuration, existing strobe extension cables are used to facilitate installation.



1. Disconnect strobe extension cables from strobe power supply.



2. Connect LED Kit connectors to strobe extension cables.



3. Remove & Disconnect Strobe bulbs from extension cables.



4. Insert & Connect LED Lightheads to strobe extension cables.

**NOTE:** Wire colors of LED Kit do not need to match wire colors of extension cables.

**WARNING:** Do not connect LED lighthead directly to strobe power supply. It will cause damage and void the warranty.