

B16

R65 LED BEACON



FEATURES

- Multi-Voltage Input 12~24VDC.
- LEDs rated to 100,000 hours of operation.
- Non-volatile memory recalls last flash pattern used at power up.
- Multiple units are synchronizable and can flash simultaneously or alternately.
- Reverse polarity protection.
- Weatherproof and vibration resistant design for external or internal use.

SPECIFICATIONS

Meets: ECE-R65, ECE-R10, SAE

Operating Voltage: 12~24VDC

Warning Patterns: 11 Flash Patterns

Bulb: 3W LED x 8 pcs

Avg. Current: 1.2A @12.8VDC / 0.7A @24VDC
(varies with flash pattern)

Avg. Power: 15Watts (varies with flash pattern)

Max. Current: 2.4A @12.8VDC / 1.3A @24VDC

Max. Power: 30Watts

Wires: Magnetic Mount

- Single button cigar-plug: 300cm
- European cigar-plug: 250cm

Permanent Mount

- Red-Vcc : 40cm (20AWG)
- Black-GND: 40cm (20AWG)
- Yellow-Flash Patterns & Sync: 40cm (20AWG)
- White-Phase: 40cm (20AWG)

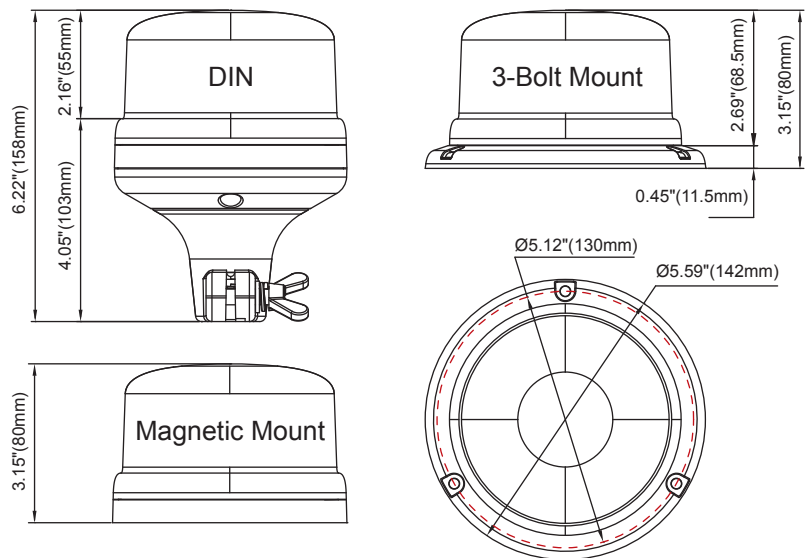
Fuse Recommended: 5

Multi-Unit Synchronization: Over 15

Storage Temperature: -40°C to +75°C

Operating Temperature: -30°C to +65°C

DIMENSIONS



PART NO.

B16-11231-00 3-Bolt Mount, Amber TA1

B16-11232-00 3-Bolt Mount, Blue TB1

B16-12231-00 Magnetic Mount, Amber TA1 (Straight cord with single button cigar-plug)

B16-12232-00 Magnetic Mount, Blue TB1 (Straight cord with single button cigar-plug)

B16-14231-00 Magnetic Mount, Amber TA1 (European coil cord and cigar-plug)

B16-14232-00 Magnetic Mount, Blue TB1 (European coil cord and cigar-plug)

B16-13231-00 DIN pole Mount, Amber TA1

B16-13232-00 DIN pole Mount, Blue TB1

B16-16231-00 Power Mag Mount, Amber TA1 (European coil cord and cigar-plug)

B16-16232-00 Power Mag Mount, Blue TB1 (European coil cord and cigar-plug)

*Power Mag is rated at 250km/hr

FLASH PATTERN

FP#	FLASH PATTERNS	FP#	FLASH PATTERNS
1	Double (R65)	7	Quint (SAE)
2	Single (2Hz)	8	Mega
3	Quad (2Hz)	9	Ultra (SAE)
4	Single (SAE)	10	Single-Quad
5	Double (SAE)	11	Single H/L
6	Quad (SAE)		