

M53

All In One 3-LED System



FEATURES

- 0.67" (17mm) Super low-profile thickness.
- Internal installation in vehicle lamp with 1" cut-out.
- External surface mount on vehicle body with flange.
- Snap-on mounting flange design with slick aesthetic.
- Meets SAE class 1 regardless of mounting orientation.
- No external flasher for easy and versatile installation.
- Built-in 12 selectable Flash Patterns.
- Multi-Voltage Input 12~24VDC.
- Multi-units synchronization in simultaneous or alternating flash.
- Reverse polarity protection.

SPECIFICATIONS

Meets: SAE J595 Class1 (R,A,B,W), CA13 Class B (R,B), IPX7

Bulb: High-power LED x 3pcs

Warning Patterns: 12 Flash Patterns

Operating Voltage: 12~24VDC

Avg. Current: 0.24A @12VDC / 0.12A @24VDC
(varies with flash pattern)

Avg. Power: 2.82 Watts (varies with flash pattern)

Max. Current: 0.47A @12VDC / 0.24A @24VDC

Max. Power: 5.65 Watts

Wires: Red-Vcc : 20cm (24AWG)

Black-GND : 20cm (24AWG)

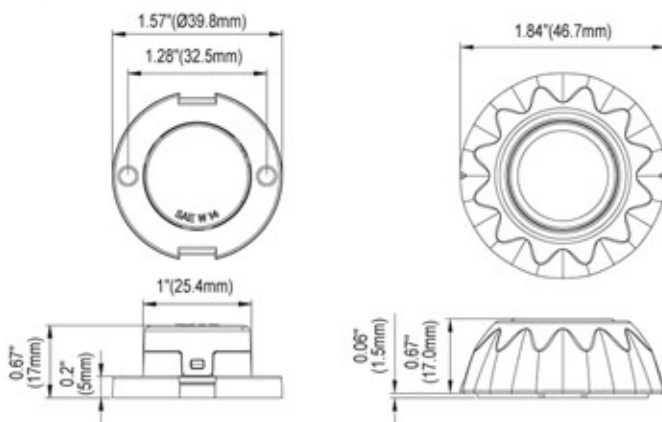
Yellow-Flash Patterns & Sync : 20cm (24AWG)

Fuse Recommended: 2A

Multi-Unit Synchronization: Over 15 units

Available in: RED, BLUE, AMBER, WHITE

DIMENSIONS



PART NO.

- M53-A (amber)
- M53-B (blue)
- M53-R (red)
- M53-W (white)

FLASH PATTERN

FP#	Flash Patterns	
1	Random	7 Quad (SAE)
2	Steady	8 Quint (SAE)
3	Single (SAE, CA13)	9 Ultra (SAE)
4	Mega	10 Single-Quad
5	Double (SAE)	11 Single H/L
6	Triple (SAE)	12 Single-Triple-Quint

Mounting Brackets

- 99.M53M0.000 (L-BRACKET)
- 99.M53X0.000 (FLANGE, CHROME)
- 99.M53X1.000 (FLANGE, BLACK)
- 99.M53X2.000 (FLANGE, WHITE)

