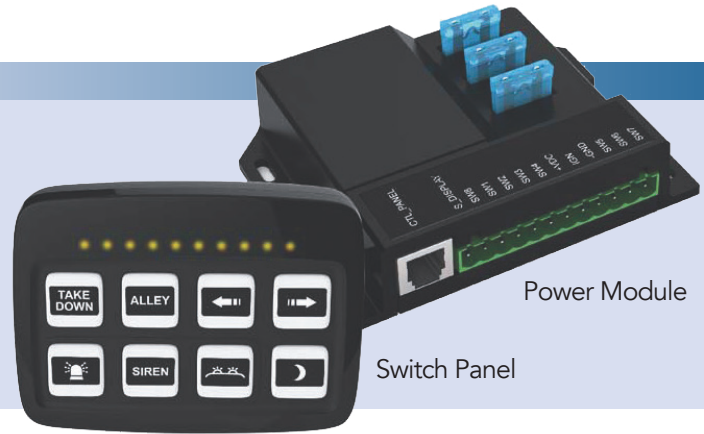


SW830

MULTI-PURPOSE SWITCH / CONTROL PANEL W/ POWER MODULE



Power Module

Switch Panel

FEATURES

- 8 silicon rubber push buttons. 3 x 10A w/ relays - 5 x 0.2A)
- Program up to 8 as either on/off or momentary
- LED backlit buttons
- 10 LED readout mimics active traffic control (arrow) pattern
- 35 selectable icon stickers to clearly label your panel.
- Mounts: Suction cup (windshield) or adhesive mount (dash)

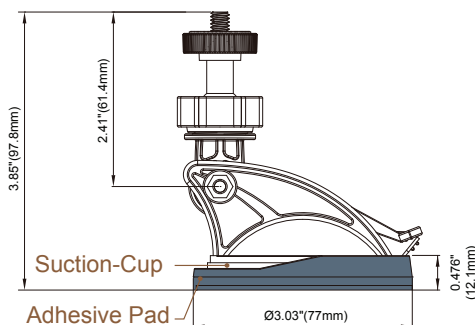
SPECIFICATIONS

- Operating Voltage: 10~24VDC
- Input Current: max 32A / min 0.01A
- Output Voltage: 10~24VDC
- Output Current: max 0.2A x 5 ports / max 10A x 3 ports
- Fuse Recommended: 35A @ Input
- Storage Temperature: -40°C ~ 75°C
- Operating Temperature: -30°C ~ 65°C
- Control Panel Cable: 13' (8) pin RJ45 Cable, 24AWG,

RECOMMENDED RELAY SPECIFICATION (USER-SUPPLIED)

- Input Voltage: 10~24 VDC
- Input Current: < 200mA

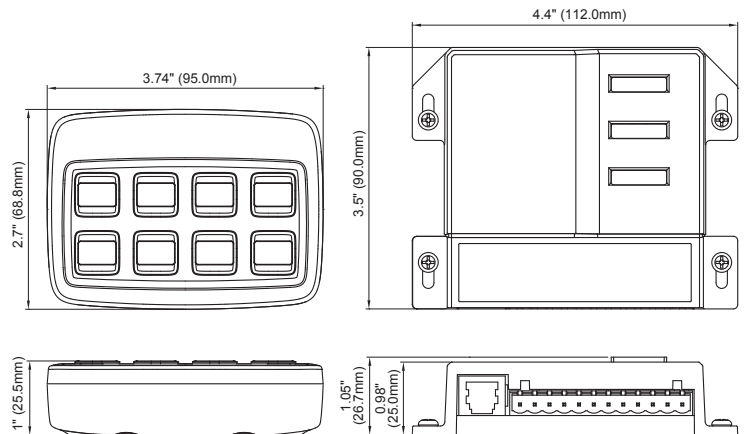
MOUNTING



DIMENSIONS

Control Panel

Power Module



ICON STICKER

