

# 604 series SQUARE LED Work Lamp



## FEATURES

- Model: WLD-6B074-00 Flood (wide beam)
- Heavy-Duty Powder Coated Die Cast Aluminum
- Weatherproof and Vibration resistant
- LEDs rated to 50,000 hours of operation
- Reverse Polarity Protection
- Multi-Voltage Input 11~70VDC for worldwide use
- Applications: Police, Fire, Ambulance, Tow, Agriculture, Construction, Mining, Off-road, Marine
- Waterproof connector

## SPECIFICATIONS

**Meets :** EMC, IP68

**LED Element :** High intensity LED x 4pcs

**LED Output :** 3200lm

**LED Current :** 1.8 Amps

**Operating Voltage :** 11-70VDC

**Max. Current (Amps) :** 2.4A @12.8VDC / 1.2A @25.6VDC / 0.5A @60VDC

**Max. Power :** 32 Watts

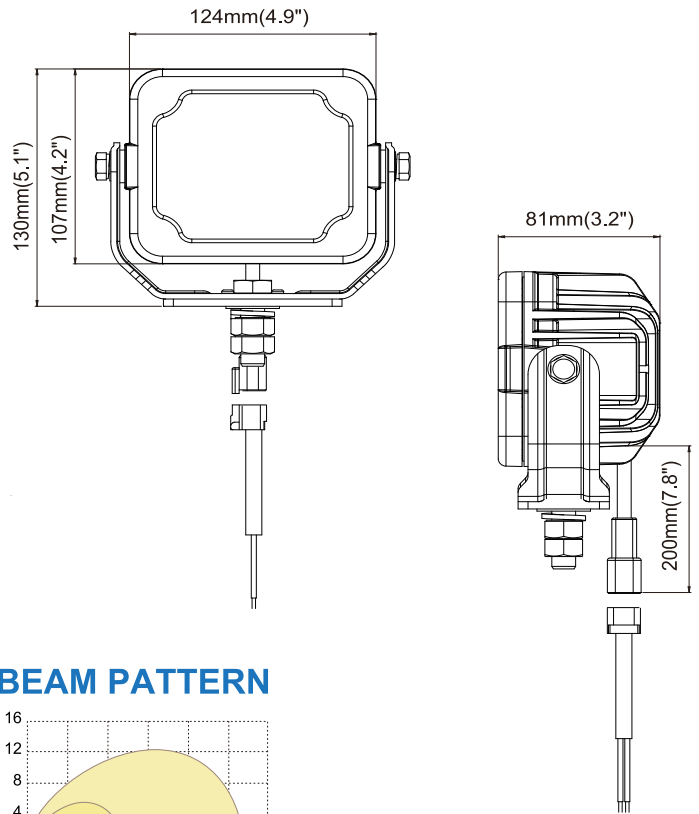
**Wires :** Red-Vcc : 16AWG / 20cm

Black-GND : 16AWG / 20cm

**Extension Wire :** 16AWG / 100cm

**Fuse Recommend :** 5 Amps

## DIMENSIONS



## BEAM PATTERN

