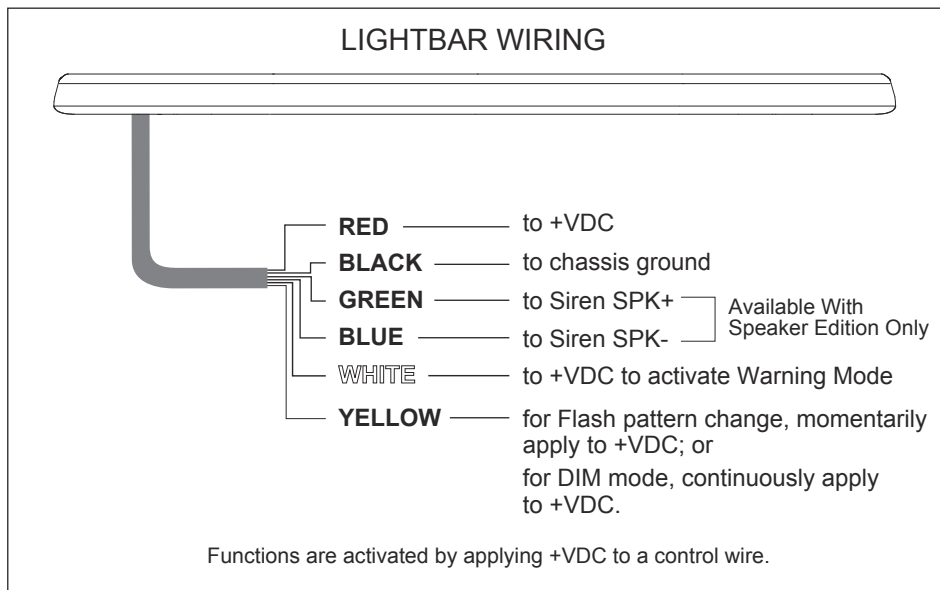


WIRING & FUNCTIONS (AB)

Different applications require different functions. It is highly recommended to determine and configure the required functions prior to Installation; (refer to 'CONTROL WIRES' section).



POWER WIRES

1. Route Power Cable to the vehicle firewall towards the battery.
2. Follow factory wiring harness through the firewall. It may be necessary to drill a hole in the firewall. Ensure that there are no components that could be damaged from the drilling.
3. Route the cable to the battery.
4. Install a fuse (user-supplied) on the end of **RED** wire, then connect to battery.
5. Connect **BLACK** wire to the factory chassis ground adjacent to the battery.

Lightbar length	Suggested fuse	
	12VDC	24VDC
24"	7.5A	5A
30"	10A	5A
36"	10A	5A
43"	10A	7.5A
49"	15A	7.5A
54"	15A	7.5A
60"	15A	7.5A
66"	15A	7.5A
72"	15A	7.5A

NOTE: make sure that all wires of power cable are securely connected to power source.

⚠ WARNING

DO NOT USE THE POWER WIRE(S) AS THE LIGHTBAR ACTIVATION SWITCH; USE ONLY THE FUNCTION WIRE(S) TO SWITCH AND ACTIVATE.

ENSURE THE POWER WIRE(S) ARE PROPERLY CONNECTED BEFORE ACTIVATING ANY FUNCTION WIRE(S).

MIS-CONNECTING THE WIRES AND SWITCH MAY CAUSE THE LIGHTBAR TO RESET TO ITS DEFAULT SETTING.

SIREN SPEAKER WIRES (AVAILABLE WITH SPEAKER EDITION ONLY)

WARNING: Before wiring the speaker, please ensure that the amplifier (siren) is compatible with the speaker's impedance and power rating. Using incompatible amplifier may cause permanent damage to the speaker and/or the lightbar; such damage will not be covered under warranty.

Speaker Impedance: 11 ohms @ 1 KHz

Speaker Power Rating: 100 Watts

1. Route speaker wires towards the siren unit (user-supplied).
2. Connect the speaker wires to the respective siren output.

CONTROL WIRES

1. Route Control wires towards the dash area to a switch panel (user-supplied).
2. Connect the required wires to the switch panel.

WARNING MODE

Activate Warning Mode by applying **+VDC** to **WHITE** wire. There is a list of built-in flash patterns to choose from. While in Warning Mode, tap **+VDC** to **YELLOW** wire:

- Once for next pattern.
- Quickly 3 times for FP#1.

FLASH PATTERN					
1	Kit Scan (Split)	10	Quint (Split)	19	Mega (All)
2	Single (Outside-In)	11	Mega (Split)	20	Ultra (All)
3	Ultra (Outside-In)	12	Ultra (Split)	21	Single-Quad (All)
4	Single (Side-by-Side)	13	Single-Quad (Split)	22	Single H/L (All)
5	Ultra (Side-by-Side)	14	Single H/L (Split)	23	Single (Criss-cross)
6	Random	15	Single (All)	24	Ultra (Criss-cross)
7	Single (Split)	16	Double (All)	25	Rotator x 1
8	Double (Split)	17	Quad (All)	26	Rotator x 2
9	Quad (Split)	18	Quint (All)		

DIM MODE

If desired, the bar can be switched to DIM Mode. While Warning Mode is activated, apply **+VDC** to **YELLOW** wire continuously to switch to DIM Mode. Simply remove **+VDC** from **YELLOW** wire to de-activate.