

HAL06

6 LED HIDE-AWAY / SURFACE MOUNT LIGHTING SYSTEM



FEATURES

- User programmable color modes allow flashing of either color, alternate flashing of both as well as isolation of one for steady scene / flood lighting
- System contents: (2) lightheads, (1) in-line flasher / wire harness assembly, (1) "jump" cable to connect 2nd lighthouse, (2) black bezels and all mounting hardware
- Non-volatile memory recalls last flash pattern used at power up
- Aluminum base for heat dissipation
- UV stabilized polycarbonate lens: Stabilizer is injected into PC during manufacturing, resulting in superior resistance to environmental effects. (yellowing, cracking, etc.)
- Weatherproof & vibration resistant
- LEDs rated to 100,000+ hours of operation
- Reverse polarity protection
- 5 year, no-hassle warranty

SPECIFICATIONS

- Flash Patterns: 19
- Input Voltage: 10~16 Vdc
- Current Draw: 0.65A @ 12Vdc
- Sync: 15+ Units
- LED Count: 6
- Dimensions: Insert: 1.1" Diameter X 0.84"H X 1.26"D
Bezel: 2.26"L X 1.65H X 0.4"D
- Colors: Amber, Blue, Red, White & most split-color combinations

PART NUMBER

Single Color: HAL06-xx: Split Color: HAL06-xx-xx
Replace "xx" with the first letter of the color(s)

BEZELS



HAL06-FBB
Black Bezel



HAL06-FCB
Chrome Bezel

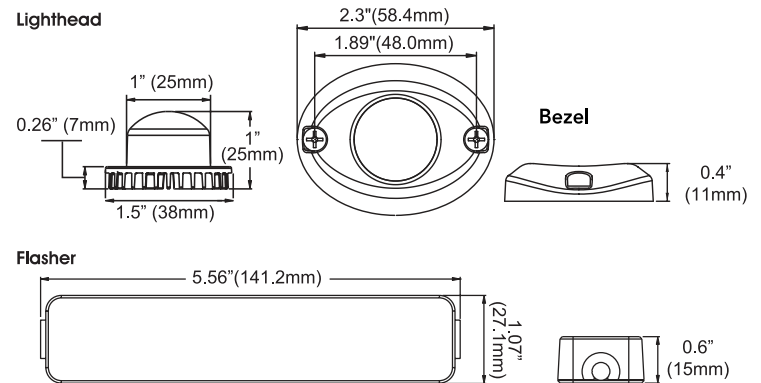


HAL06-FWB
White Bezel



Black bezels included (standard)
Chrome and white bezels sold separately

DIMENSIONS



FLASH PATTERNS

1	Random (default)	11	Double (all)
2	Single (split)	12	Quad (all)
3	Double (split)	13	Quint (all)
4	Quad (split)	14	Mega (all)
5	Quint (split)	15	Ultra (all)
6	Mega (split)	16	Single-Quad (all)
7	Ultra (split)	17	Single H/L (all)
8	Single-Quad (split)	18	Steady Half
9	Single H/L (split)	19	Steady All
10	Single (all)		