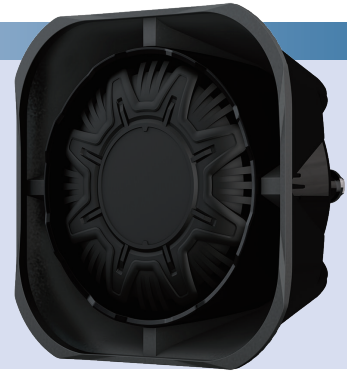


JS-100

Compact Siren Speaker



FEATURES

- High performance, exceeds SAE, CA XIII & EVS2 requirements with most 100W sirens. Achieve optimum output with a Brooking electronic siren.
- All weather, fiber reinforced nylon composite housing
- Compact design, just 2.96" in depth, is ideal for installation in tight spaces.
- Available with fixed L bracket or two-piece adjustable bracket.
- Cast aluminum driver with powerful neodymium magnet produces 124.5dB at 9'8" distance.
- 3 year warranty

SPECIFICATIONS

Compliant: SAE J1849 EVS2, CA Title 13

Driver: Neodymium Magnet

Rated Wattage: 100W

Impedance (AC): 11 Ω

DC Resistance: 4.3 Ω

Weight: 2.05 Kg

Cooling Method: FerroFluid Cool

Housing: Fiber Reinforced Nylon and Cast Aluminum

Operating Temperature: 86°F~149°F

Storage Temperature: -40°F~167°F

IP Rating: IP54K

Sound Output: 124.5 dBA @ 3M (9.84')

Wires: White (SPK+) - 13.78" (20AWG)

Black (SPK-) - 13.78" (20AWG)

PART NUMBER

JS-100: 100W Speaker w/ Fixed L bracket

JS-100-2U: Two Piece Adjustable Bracket (upgrade)

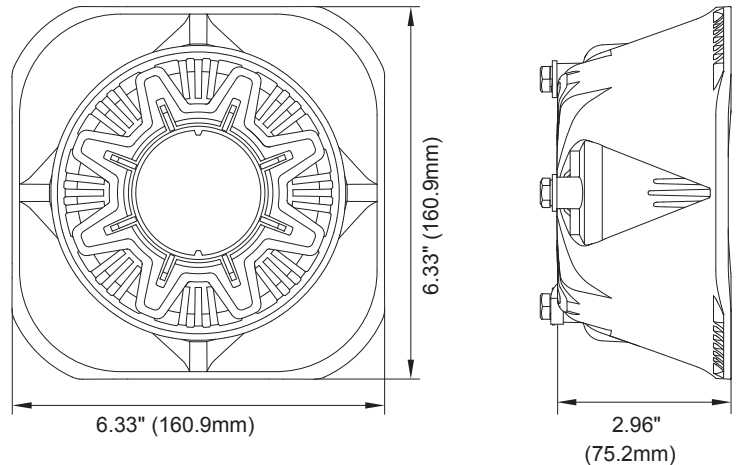


Fixed L



Two Piece Adjustable

DIMENSIONS



SOUND PRESSURE LEVEL

