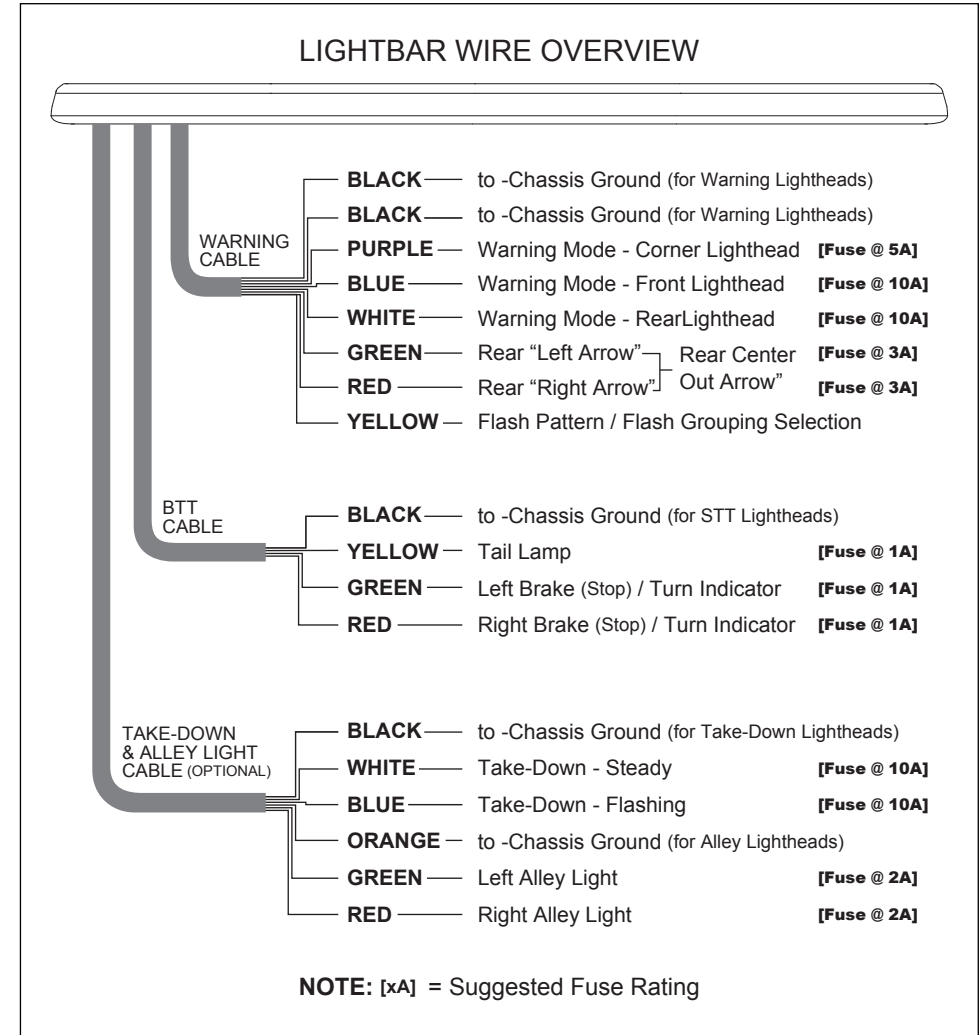


## WIRING & FUNCTIONS (R1 / R2 SAE)

Proper installation of the product requires the installer to have a good understanding of automotive electronics, systems and procedures. Different applications may require different functions. For optimum efficiency, it is highly recommended to determine, configure and test the required functions prior to Installation.



## WARNING CABLE

1. Route and connect **BLACK** ground wire to the chassis-ground.
2. Route and connect each activation wire to the switch panel (user-supplied) or respective power source with rated fuse (for correct fuse rating, refer to wiring overview).

**WARNING:** When routing the wires, ensure that no vehicle component is damaged during the installation.

### WARNING MODE - CORNER / FRONT / REAR

1. Activate the desired Warning Mode by applying +VDC to **PURPLE**, **BLUE**, or **WHITE** wire.

- **PURPLE** wire for Warning Mode - Corner Lighthoods.
- **BLUE** wire for Warning Mode - Front Lighthoods.
- **WHITE** wire for Warning Mode - Rear Lighthoods.

2. Each of the 3 Modes can select and store one pattern from the built-in flash patterns. To change the flash pattern: While a Warning Mode is activated, tap **+VDC** to **YELLOW** wire
  - a. Once to next Flash pattern (refer to Flash Pattern chart).
  - b. More than 5 second to FP#1.

3. Each Warning Mode may be set in one of the 5 Flash Groupings. To change the Lighthouse Flash Grouping: While a Warning Mode is activated, tap **+VDC** to **YELLOW** wire for 2~4 second to next Grouping (refer to Flash Grouping chart).

FP#	Flash Patterns
1	Single Slow
2	Single Mid
3	Single Fast
4	Double 1
5	Double 2
6	Quad
7	Quint
8	Ultra
9	Single-Quad
10	Single H/L
11	Random

### TRAFFIC ARROW

1. Activate Traffic Arrow function by applying +VDC to:

- **GREEN** wire for Left Arrow.
- **RED** wire for Right Arrow.
- Above 2 wires together for Center-Out Arrow.

2. To change the Traffic Arrow flash pattern, tap **+VDC** to **YELLOW** wire:
  - a. Once to next pattern. (refer to Traffic Arrow Pattern).
  - b. More than 5 second to TP#1.

**NOTE:** When activating Traffic Arrow, rear warning pattern will be overridden.

FG#	Flash Grouping
1	All
2	Left-Right
3	Criss-cross
4	In-Out
5	Side-by-Side

TP#	Traffic Arrow Pattern
1	Sweep Single
2	Sweep Double
3	Sweep Triple
4	Sweep Single End-Double
5	Blink Double
6	Blink Triple
7	Blink Solid

## BTT CABLE

1. Route and connect **BLACK** ground wire to the chassis-ground.
2. Route and connect each activation wire to the respective power source with rated fuse. (for correct fuse rating, refer to wiring overview).

**WARNING:** When routing the wires, ensure that no vehicle component is damaged during the installation.

### BRAKE (STOP) / TAIL / TURN INDICATOR LIGHTHEAD

Activate rear facing Break (stop) / Tail / Turn Indicator Lighthouse by applying +VDC to

- **YELLOW** wire for Tail Lighthouse.
- **GREEN** wire for Left Brake (Stop) / Turn Indicator.
- **RED** wire for Right Brake (Stop) / Turn Indicator.

## TAKE-DOWN & ALLEY LIGHT CABLE (OPTIONAL)

1. Route and connect **BLACK & ORANGE** ground wire to the chassis-ground.
2. Route and connect each activation wire to the respective power source with rated fuse. (for correct fuse rating, refer to wiring overview).

**WARNING:** When routing the wires, ensure that no vehicle component is damaged during the installation.

### TAKE-DOWN LIGHT

Activate Take-down Lighthouse(s) by applying +VDC to **WHITE** wire.

### FLASHING TAKE-DOWN LIGHT

Activate Flashing Take Down by applying +VDC to **BLUE** wire. To configure the Take-down flash mode, tap +VDC to **YELLOW** wire (from the warning cable) once to next mode. (refer to Take-down Flash Mode chart).

TM#	Take-down Flash Mode
1	Left-Right
2	All
3	Side-by-Side

### ALLEY LIGHT

Activate Alley Lighthouse(s) by applying +VDC to

- **GREEN** wire for Left-Side Alley Light.
- **RED** wire for Right-Side Alley Light.