

MICRO-BAR-EX™

12~24VDC



FEATURES

- Multi-Voltage Input 12~24VDC.
- Each unit comes with 14 lightheads (3 LEDs/head).
- Built-in 24 Selectable Flash Patterns.
- LEDs rated to 100,000 hours of operation.
- Non-volatile memory recalls last flash pattern used at power up.
- Low current draw, max. 6.2A @12VDC / 3.1A @24VDC
- Available in permanent and magnetic versions.
- Magnetic version comes with suction magnets.
- Water and vibration resistant design for internal or external use.
- Reverse polarity protection.
- Multiple units can be synchronized.

SPECIFICATIONS

Meets: SAE, CA13, ECE R10, ECE R65 (TA1, TB1)

Bulb: High Intensity LED x 42pcs

Warning Patterns: 24 Flash Patterns

Operating Voltage: 12~24 VDC

Avg. Current: 3.1A @12VDC / 1.55A @24VDC
(varies with flash pattern)

Avg. Power: 37 Watts (varies with flash pattern)

Max. Current: 6.2A @12VDC / 3.1A @24VDC

Max. Power: 74 Watts

Wires: Magnet Mount

- Dual button cigar-plug: 300cm

Permanent Mount

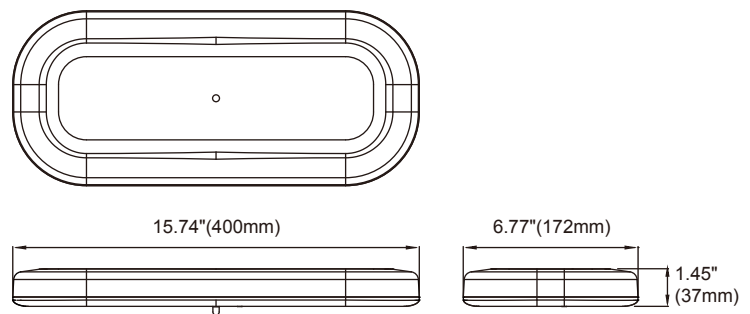
- Red-Vcc: 30cm (18AWG)
- Black-GND: 30cm (18AWG)
- Blue-Flash Patterns & Sync: 30cm (18AWG)

Fuse Recommended: 9 Amps

Multi-Unit Synchronization: Over 15 units

Colors Available: RED, BLUE, AMBER, WHITE

DIMENSIONS



MOUNTS

4 magnet



*Standard
(cigar plug)

Single Bolt



*Hardwire option

4 bolt



*Standard
(hardwire)

FLASH PATTERN

FP#	Flash Patterns		
1	Random	13	Double (all) (SAE)
2	Rotating (slow)	14	Quad (all) (SAE)
3	Rotating (fast)	15	Quint (all) (SAE)
4	Single (split)	16	Mega (all)
5	Double (split)	17	Ultra (all) (SAE)
6	Quad (split)	18	Single-Quad (all)
7	Quint (split)	19	Single H/L (all)
8	Mega (split)	20	Steady (half)
9	Ultra (split)	21	Single (2Hz)
10	Single-Quad (split)	22	Double (R65)
11	Single H/L (split)	23	Triple (2Hz)
12	Single (all) (SAE,CA13)	24	Quad (2Hz)