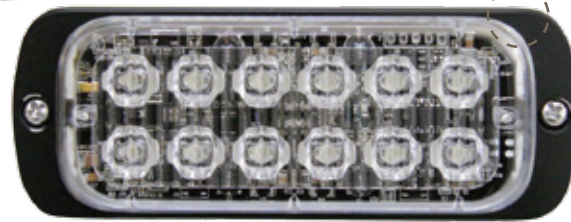


ST26 Super Thin

12 Diode Surface Mount Lighthouse

12~24DC



FEATURES

- 0.35" (9mm) Super low-profile thickness.
- Multi-Voltage Input 12~24VDC
- 25 user selectable flash patterns
- 3 flash modes (top/bottom, side/side, criss-cross)
- LEDs rated to 100,000 hours of operation.
- Non-volatile memory recalls last flash pattern used at power up.
- Multi-unit synchronization in simultaneous or alternating flash.
- Reverse polarity protection.
- Weatherproof and vibration resistant design for internal or external use.
- Aluminum base for heat dissipation.

SPECIFICATIONS

Meets: SAE J595 Class 1(R,A,B,W) ;

ECE R65 Class 2(A,B) ; ECE R10

Bulb: High-power LED x 12pcs

Warning Patterns: 25 Flash Patterns

Operating Voltage: 12~24VDC

Avg. Current: 0.78A @12VDC / 0.39A @24VDC
(varies with flash pattern)

Avg. Power: 9.25 Watts (varies with flash pattern)

Max. Current: 1.56A @12VDC / 0.78A @24VDC

Max. Power: 18.5 Watts

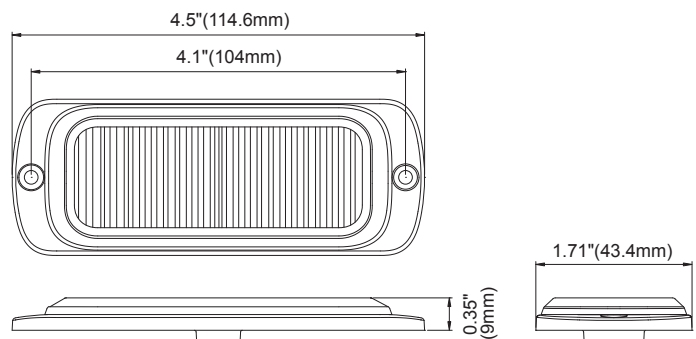
Wires: Red-Vcc : 25cm (20AWG)
Black-GND : 25cm (20AWG)
Yellow-Flash Patterns & Sync : 25cm (20AWG)
White-Low Power : 25cm (20AWG)

Fuse Recommended: 3A

Multi-Unit Synchronization: Over 15 units

Available in: RED, BLUE, AMBER, WHITE

DIMENSIONS



FLASH PATTERNS

FP#	Flash Patterns		
1	Double [R65]	14	Single (all) [SAE]
2	Single [2Hz]	15	Double (all) [SAE]
3	Triple [2Hz]	16	Quad (all) [SAE]
4	Quad [2Hz]	17	Quint (all) [SAE]
5	Random	18	Mega (all)
6	Single (split)	19	Ultra (all) [SAE]
7	Double (split)	20	Single-Quad (all)
8	Quad (split)	21	Single H/L (all)
9	Quint (split)	22	Steady half
10	Mega (split)	23	Steady all
11	Ultra (split)	24	Rotate Slow
12	Single-Quad (split)	25	Rotate Fast
13	Single H/L (split)		

*split=Left alternating Right *all=all LEDs on