

500 series SQUARE LED Work Lamp

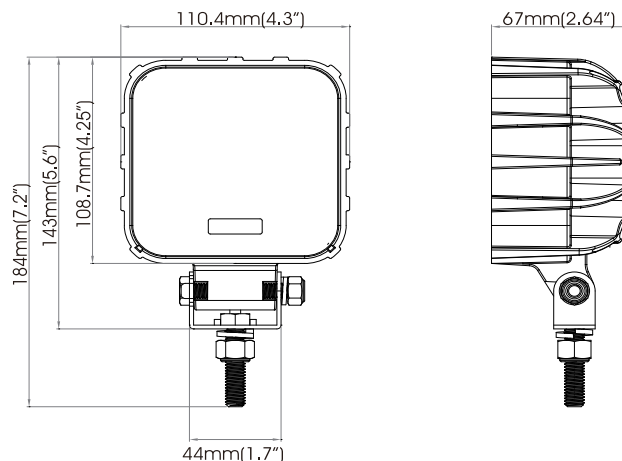
10~70VDC



FEATURES

- Model: WLC506FB-D7 Flood (wide beam)
- Heavy-Duty Powder Coated Die Cast Aluminum
- Weatherproof and Vibration resistant
- LEDs rated to 100,000 hours of operation
- Reverse Polarity Protection
- Multi-Voltage Input 11~70VDC for worldwide use
- Applications: Police, Fire, Ambulance, Tow, Construction, Mining, Off-road

DIMENSIONS



SPECIFICATIONS

- Meets :** EMC, IP67
- LED Element :** High-Intensity LED x 6pcs
- LED Output :** 1900lm
- LED Current :** 1 Amps
- Operates Voltage :** 10-70VDC
- Max. Current (Amps) :** 2A @12.8VDC / 0.9A @25.6VDC
- Max. Power :** 27 Watts
- Wires :** Red-Vcc : 22AWG / 120cm
Black-GND : 22AWG / 120cm
- Fuse Recommend :** 5 Amps

BEAM PATTERN

