

# WLG series ROUND LED Work Lamp



## FEATURES

- Model: WLG-1B051-00 Flood (wide beam)
- Multi-Voltage Input 9~50VDC.
- Heavy-Duty Powder Coated Die Cast Aluminum
- Weatherproof and Vibration resistant
- LEDs rated to 50,000 hours of operation
- Reverse Polarity Protection
- Applications: Police, Fire, Ambulance, Tow, Agriculture, Construction, Mining, Off-road, Marine

## SPECIFICATIONS

**Meets:** EMC, IP68

**LED Element :** High Intensity LED x 4pcs

**LED Output :** 900lm

**LED Current :** 0.55 Amps

**Operates Voltage :** 9-50VDC

**Max. Current (Amps) :** 1.2A @9VDC / 0.2A@50VDC

**Max. Power :** 10.8 Watts

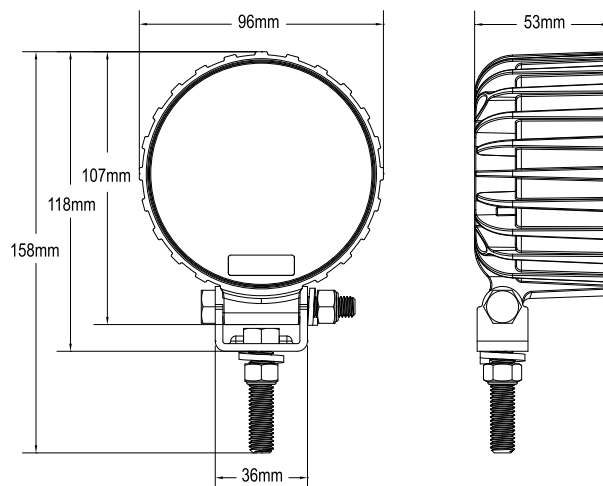
**Wires :** Red-Vcc : 18AWG / 38cm

Black-GND : 18AWG / 38cm

**Fuse Recommend :** 3 Amps

**Storage Temperature :** -40°C to +55°C (-40°F to +130°F)

## DIMENSIONS



## BEAM PATTERN

